
Question: 1

You can monitor your Steelhead appliance disk performance using which reports? (Select 2)

- A. Data Store Cost
- B. Data Store Performance
- C. Disk Load
- D. SDR Hit
- E. Disk Pressure
- F. Disk Alarm

Answer: A, C

Question: 2

What happens to traffic when a Steelhead appliance reports admission control?

- A. Traffic will be interrupted
- B. The Steelhead stops the interception of new connections for optimization for as long as it is in admission control
- C. This is just a report and the Steelhead will continue to optimize traffic
- D. The Steelhead will start optimizing faster any new connections
- E. The Steelhead will shut down in less than a minute

Answer: B

Question: 3

Why should you use promiscuous mode on each in-path virtual NIC for Virtual Steelhead appliance? (Select 2)

- A. For LAN/WAN Virtual NICs to intercept traffic not destined for the virtual machine
- B. This configuration is mandatory for traffic optimization
- C. Promiscuous mode is not required
- D. Only verbose mode should be configured
- E. Only regular mode should be configured

Answer: A, B

Question: 4

What deployment type supports fail-to-wire?

- A. Physical in-path
- B. Virtual in-path
- C. Out-of-path
- D. Virtual Steelhead appliance
- E. Proxy file server

Answer: A

Question: 5

Can you optimize FTP using Steelhead Mobile?

- A. Yes, this is possible on all FTP modes
- B. When using active FTP
- C. When using passive FTP
- D. It is not possible to optimize FTP traffic
- E. Only when there is no firewall enabled

Answer: C

Question: 6

Where are SDR references maintained on a Steelhead appliance?

- A. Persistent storage
- B. USB keys
- C. Flash storage
- D. RSP partition
- E. Configuration file

Answer: A

Question: 7

Which of the following features are available with the Virtual Steelhead appliance? (Select 2)

- A. RSP
- B. HSTCP
- C. Fail-to-wire

- D. PFS
- E. Datastore synchronization

Answer: B, E

Question: 8

What of the following are true when deploying the Virtual Steelhead appliance? (Select 2)

- A. Only use 10 Gbps link
- B. Never reserve virtual CPU
- C. Do not over provision physical RAM
- D. Always use SSD drives
- E. Do not share physical NICs

Answer: C, E

Question: 9

What information does the OVA package include about the Virtual Steelhead appliance? (Select 4)

- A. Virtual disks
- B. CPU
- C. Memory
- D. License
- E. Storage

Answer: A, B, C, E

Question: 10

When deploying a Virtual Steelhead appliance, how much extra memory should be allocated for the extra VMware overhead?

- A. 3%
- B. 4%
- C. 5%
- D. 10%
- E. 2%

Answer: C

Question: 11

What are the possible ways to downgrade a Virtual Steelhead appliance after it has been upgraded?

- A. Remove the upgrade license and restart the virtual Steelhead appliance
- B. Reinstall the original model license
- C. Reduce the amount of CPU and RAM allocated to the Virtual Steelhead appliance and it will automatically downgrade at the next startup
- D. It is not possible to downgrade after an upgrade

Answer: D

Question: 12

When upgrading a Virtual Steelhead appliance, what steps can be taken to preserve the existing datastore?

- A. When upgrading a Virtual Steelhead appliance, it is not possible to preserve the existing datastore
- B. Detach the existing datastore and re-attach to the new Virtual Steelhead appliance
- C. Run vMotion and move the datastore to a different ESX host before performing the upgrade and then bring it back afterwards
- D. Move the existing datastore to an NFS share and move it back after the upgrade

Answer: A

Question: 13

The amount of memory required for Steelhead Mobile installation varies between 81 MB to 228 MB. What is the reasons for the variation?

- A. Number of TCP connections
- B. Types of application
- C. Datastore size
- D. Bandwidth
- E. All of the above

Answer: C

Question: 14

What platform is supported by SMC-VE?

- A. ESX 3.5
- B. ESX 4.0
- C. ESX 4.1
- D. RSP
- E. HyperV

Answer: D

Question: 15

Which of the following are Steelhead Mobile Controller alarms? (Select 2)

- A. Memory paging
- B. Datastore errors
- C. Peer version mismatch
- D. SSL errors
- E. File system full

Answer: A, E

Question: 16

Which of the following is Endpoint alarm?

- A. Locked secure vault
- B. Firewalled status
- C. Network interface error
- D. Temperature
- E. Memory paging

Answer: B

Question: 17

After upgrading the Steelhead Mobile Controller to the latest software release, it requires a reboot. During the reboot, what would happen to the users connected to the Steelhead Mobile Controller via the Steelhead Mobile client?

- A. All optimization ceases to function

- B. Existing connections are reset, but subsequent connections will be optimized
- C. The Steelhead Mobile client informs the user to reboot their computer
- D. No disruption to the end user
- E. Only Layer 7 optimization is affected; all other optimization remain unaffected

Answer: D

Question: 18

When configuring SSL optimization for Steelhead Mobile clients, what step must be taken?

- A. Mutual exchange of public keys between the Steelhead Mobile Controller and the server-side Steelhead appliance
- B. Mutual exchange of private keys between the Steelhead Mobile Controller and the server-side Steelhead appliance
- C. Generate a self-signed certificate for the Steelhead Mobile Controller and import that on the client PCs
- D. Import the server's public and private keys to the Steelhead Mobile Controller
- E. Generate individual certificates for each PC and manually import the public key on the Steelhead Mobile Controller

Answer: A

Question: 19

Which of the following deployments is incompatible with the Branch Warming feature?

- A. In-path
- B. Virtual in-path
- C. Out-of-path
- D. WCCP
- E. PBR

Answer: C

Question: 20

In a WCCP cluster using mask assignments, if there are six Steelhead appliances in the cluster, what is the minimum number of bits that should be used?

- A. 1
- B. 3

- C. 5
- D. 6
- E. 7

Answer: B

Question: 21

When is it necessary to configure the SRDF Module rules? (Select 2)

- A. Traffic originated between two EMC DMX arrays
- B. Traffic originated from the Symmetrix FC ports (RF ports)
- C. Traffic originated from the Symmetrix GigE ports (RE ports)
- D. Traffic originated between two EMC V-Max arrays

Answer: C, D

Question: 22

It is not recommended to use the same Steelhead appliance to optimize both replication traffic and general user traffic because:

- A. Replication traffic uses 16 KB blocks and causes fragmentation in the datastore
- B. User traffic may contain sensitive traffic and should not be mixed with other traffic
- C. Replication traffic may cause admission control therefore affecting user traffic
- D. The traffic pattern between the two types of traffic is generally very different and therefore the datastore may wrap more quickly affecting performance

Answer: D

Question: 23

The client-side Steelhead appliance has been configured for OOB Destination Transparency, what should the source IP/port be for the OOB connection?

- A. Client IP/random port
- B. Client-side Steelhead appliance in-path IP/random port
- C. Client IP/port 708
- D. Client-side Steelhead appliance in-path IP/port 708
- E. None of the above

Answer: B

Question: 24

You have outgrown your current Steelhead appliance and want to copy the datastore from your exiting Steelhead 550 appliance to a new 2050 Steelhead appliance. What feature would you use to synchronize the different model Steelhead appliance datastores?

- A. Export/Import operation function
- B. Copy the datastore file system
- C. "datastore send" command
- D. Copying the configuration files
- E. This cannot be done on Steelhead appliances

Answer: E

Question: 25

When upgrading from a Steelhead 5050 appliance to a Steelhead 6050 appliance what can be migrated to the new appliance? (Select 2)

- A. Datastore
- B. Licenses
- C. Network configuration
- D. Optimization configurations
- E. Serial numbers

Answer: C, D

Question: 26

When configuring failover, in what manner must you configure your Steelhead appliances?

- 1) Master/Backup
- 2) Primary/Secondary/Tertiary
- 3) Master/Master
- 4) Backup/Backup
- 5) Primary/Principle

- A. 1
- B. 2
- C. 3, 4

- D. 1, 3, 4
- E. 1, 2, 3, 4, 5

Answer: A

Question: 27

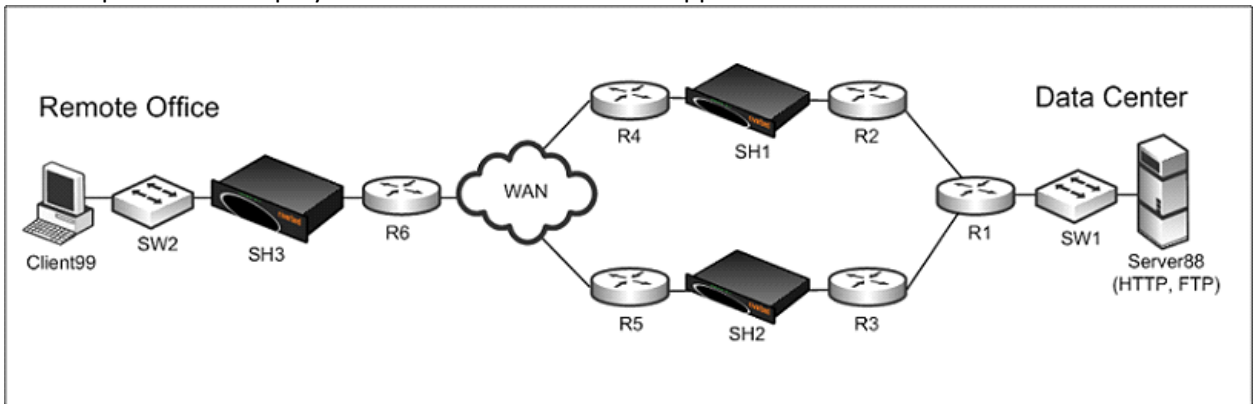
Two Steelhead appliances deployed in-path at different offices cannot auto-discover each other. What technique can be used to “force” the two Steelhead appliances to optimize traffic between each other?

- A. Change the TCP port the Steelhead appliances use for their in-path connections to 7810
- B. Disable the auto-discovery feature on the Steelhead appliances
- C. Create auto-discovery rules that map to each Steelhead appliance's in-path IP address
- D. Create fixed-target rules on each Steelhead appliance using the in-path IP address of the other Steelhead appliance, and use port 7800
- E. Use the “enable probe” command from the CLI

Answer: D

Question: 28

Three Steelhead appliances SH1, SH2, and SH3 are deployed as shown in the exhibit. They are all using the default auto-discovery rule for optimization. However, CLIENT99 experiences a failure when attempting to access either the HTTP or FTP service on SERVER88. CLIENT99 was able to access these services prior to the deployment of the three Steelhead appliances.



Which of the following choices would most likely correct the problem?

- A. Remove SH2. Use only SH1 and SH3.
- B. Remove SH1. Use only SH2 and SH3.
- C. Turn on Connection Forwarding between SH1 and SH2
- D. Turn on Connection Forwarding between SH1 and SH3
- E. Turn on Connection Forwarding between SH2 and SH3

Answer: C

Question: 29

In creating a customized Steelhead Mobile client MSI package, what is the Group ID (GID) used for?

- A. Organization of groups
- B. Configuring individual Steelhead Mobile client users with different license groups
- C. Configuration of fixed-target rule groups
- D. Configuration of pass-through rule groups
- E. All of the above

Answer: A

Question: 30

What is configured in an Acceleration policy? (Choose the best answer)

- A. Redundant Steelhead Mobile Controllers
- B. In-path rules
- C. Group IDs
- D. Port labels

Answer: B

Question: 31

What is configured in an Endpoint policy? (Choose the best answer)

- A. Redundant Steelhead Mobile Controllers
- B. In-path rules
- C. Group IDs
- D. Port labels

Answer: A

Question: 32

What ports are required for proper operation of the Steelhead Mobile client?

- A. 7800 outbound, 7801 inbound, 7870 outbound
- B. 7800 inbound, 7870 inbound, 7870 outbound
- C. 7800 inbound, 7801 outbound, 7870 outbound
- D. None of the above

Answer: A

Question: 33

A Steelhead Mobile client can be configured to operate in visible or invisible mode (show client in system tray parameter). What part of the configuration is this setting included?

- A. Acceleration policy
- B. Authentication policy
- C. Endpoint policy
- D. Port labels

Answer: C

Question: 34

What are the SSL trusts that must be configured for a Steelhead Mobile client to successfully optimize SSL traffic? (Select 2)

- A. Steelhead Mobile clients trust Steelhead Mobile Controller
- B. Server-side Steelhead trusts Steelhead Mobile clients
- C. Steelhead Mobile clients trusts client-side Steelhead
- D. Client-side Steelhead, server-side Steelhead, Steelhead Mobile clients, and CMC appliance all must trust each other

Answer: A, B

Question: 35

If the VPN concentrator that a Steelhead Mobile client connects to is not in path with a Steelhead appliance, what changes could be made to the Riverbed infrastructure to allow optimization from the Steelhead Mobile clients?

- A. Enable out-of-path support on server-side Steelhead
- B. Add a fixed-target rule in the Steelhead Mobile Acceleration policy
- C. Enable peering rule in Steelhead Mobile client
- D. B and C

E. A and B

Answer: E